

THIS DRAWING IS UNPUBLISHED. RELEASED FOR PUBLICATION 2008
 © COPYRIGHT 2008 BY TYCO ELECTRONICS CORPORATION. ALL RIGHTS RESERVED.

LOC	DIST	REVISIONS			
P	LTR	DESCRIPTION	DATE	DWN	APVD
1	-	A	FIRST ISSUE	12SEP2008	D.C. G.T.
		A8	REVISED: DRAWING FOR EUROPE VERSIONS	08APR2010	D.C. G.T.
		A9	REVISED: CHANGED SALES CONDITIONS	30AUG2010	D.C. G.T.
		B	RELEASED FOR PRODUCTION	30NOV2010	D.C. G.T.



ASSEMBLED CONNECTOR

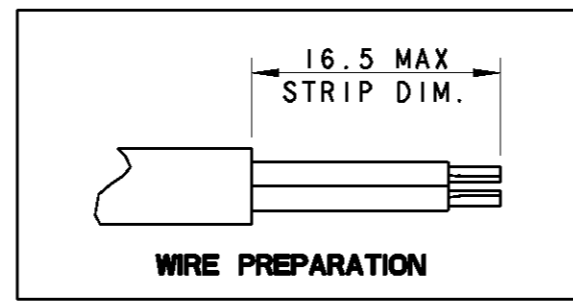
VOLTAGE: < 30V r.m.s. (42V PEAK)
 MAXIMUM CURRENT: 2A PER WAY (FULL LOADED)

CABLE LiYY 4x0,34mm²
 (INSULATION DIAMETER 4.9±0.1mm)

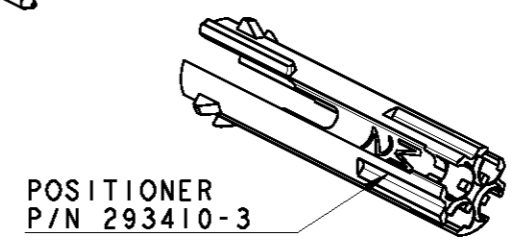
N°4 PIN CONTACTS
 P/N 166053-1

MOUNTING OVERVIEW

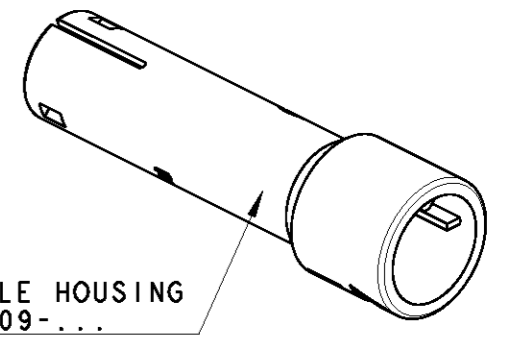
CONTACTS MUST BE MOUNTED ON THE POSITIONER BEFORE TO INSERT THEM INTO THE HOUSING. MOUNTING SHALL BE ACCORDING TO THE TYCO ELECTRONICS APPLICATION SPEC. 114-20147.



WIRE PREPARATION



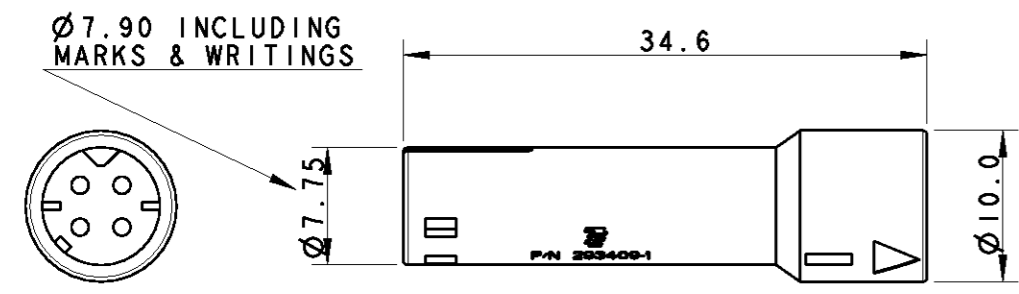
POSITIONER
 P/N 293410-3



RECEPTACLE HOUSING
 P/N 293409-...

THE PRESENTED PRODUCT / DESIGN WILL BE RELEASED FOR THE MANUFACTURING OF THE NECESSARY PRODUCTION TOOLS HEREBY. FURTHER CHANGES HAS TO BE PAYED BY CUSTOMER.
 DATE, SIGN OF THE CUSTOMER

- MALE HOUSING (N° 3 VERSIONS):
- P/N 293409-1 (REV. B) IN WHITE COLOUR
 - P/N 293409-2 (REV. B) IN BLACK COLOUR
 - P/N 293409-3 (REV. B) IN GRAY COLOUR



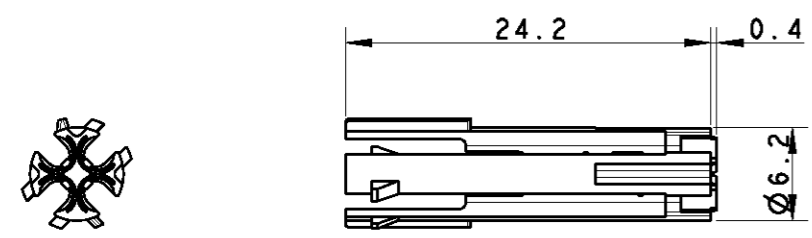
KEYING POLARIZATION FOR
 P/N 293409-1 (WHITE VERSIONS)
 AND FOR
 P/N 293409-2 (BLACK VERSIONS)

KEYING POLARIZATION FOR
 P/N 293409-3 (GRAY VERSIONS)

PACKAGING: N° 1500 PCS INTO CARTON BOX, ACCORDING TO PACKAGING SPEC. 107-20289.

MALE HOUSING P/N	POSITIONER P/N	PART NUMBER (KIT)	REV.
293409-3	293410-3	293412-3 (GRAY VERSION)	B
293409-2	293410-3	293412-2 (BLACK VERSION)	B
293409-1	293410-3	293412-1 (WHITE VERSION)	B

- POSITIONER (N° 1 VERSION):
- P/N 293410-3 (REV. B), IN GRAY COLOUR



THIS DRAWING IS A CONTROLLED DOCUMENT FOR TYCO ELECTRONICS CORPORATION IT IS SUBJECT TO CHANGE AND THE CONTROLLING ENGINEERING ORGANIZATION SHOULD BE CONTACTED FOR THE LATEST REVISION.

DIMENSIONS:		TOLERANCES UNLESS OTHERWISE SPECIFIED:	
mm			
0 PLC	±0.5		
1 PLC	±0.3		
2 PLC	±0.2		
3 PLC	±		
4 PLC	±		
ANGLES	±		
MATERIAL	FINISH		
PLASTIC PARTS: PA, ACC. TO GLOW WIRE 750°C NO FLAME	-		

DWN	12SEP2008
CHK	D. CHIARELLI
APVD	D. CHIARELLI
G. TURCO	12SEP2008
PRODUCT SPEC	108-20293
APPLICATION SPEC	114-20147
WEIGHT	-
CUSTOMER DRAWING	

Tyco Electronics Tyco Electronics AMP Italia S.r.l.
 C.so F.lli Cervi, 15 - Collegno (TO)

4 POS. LOW VOLTAGE, FREE HANGING, MALE CONNECTOR FOR EUROPE MARKET

SIZE	CAGE CODE	DRAWING NO	RESTRICTED TO
A	00779	C-293412	-

SCALE 2:1 SHEET 1 OF 1 REV B